

# PRODUCT SPECIFICATIONS

## Opt4® 4-Leg Armchair or Armless Chair with Glides or Casters

March 2020

### TECHNICAL SPECIFICATIONS

#### 4-Leg Glide & Caster Frames

Frame is fabricated from  $\frac{7}{8}$ " O.D. by 17-gauge tubular steel. All joints are welded.

#### Optional Upholstered Seat

Upholstered seat pad consists of an injection molded polypropylene liner board,  $\frac{1}{2}$ " thick urethane slab foam and an upholstery covering, all held together with a draw-string process. Upholstered seat pad is attached to the seat with eight screws that extend through the seat and are screwed into poly bosses that are molded in the liner board.

#### Seat and Back

Seat and back are available in six combinations of mesh or polypropylene backrests and mesh, polypropylene or upholstered seats. Polypropylene frame and mesh are monochromatic. Poly backrest models have an integral handle. Mesh material is made from 100% post-consumer PET bottles. All resin parts (backrest, seat, and glides) are 100% recycled polypropylene.

#### Arms

Optional armrests are available. When equipped with arms, a formed steel tube  $\frac{7}{8}$ " OD by 17-gauge tubular steel is welded directly to the chair frame. Arm caps are polypropylene material.

#### Casters/Glides

Glides are molded from nylon with glass fill. Glides are Stone Grey or Black in color. 4-Leg chairs may be ordered with casters instead of glides. Casters are 50 mm diameter, double-wheel high-impact thermoplastic, available with hard or soft wheel surface, in Black only.

#### Frame Finishes

Frames are finished in either baked-on electrostatically-applied 30-degree gloss epoxy powder-coat paint, or bright nickel-chrome plating.

#### Transport Dolly

Frame construction is welded tubular steel with black powder-coated finish and 5" wheels (two swivel and two fixed).

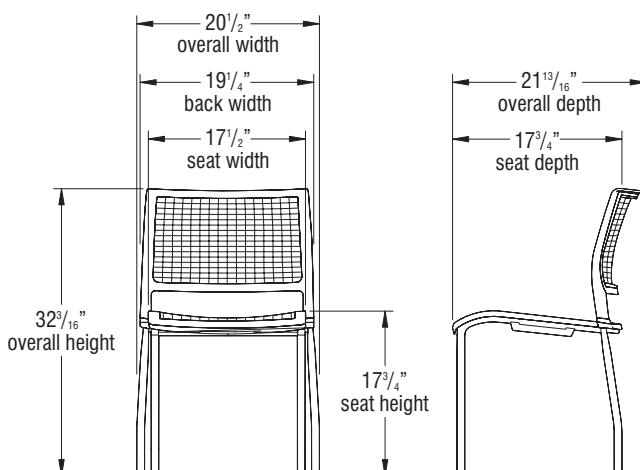


### CODE COMPLIANCE



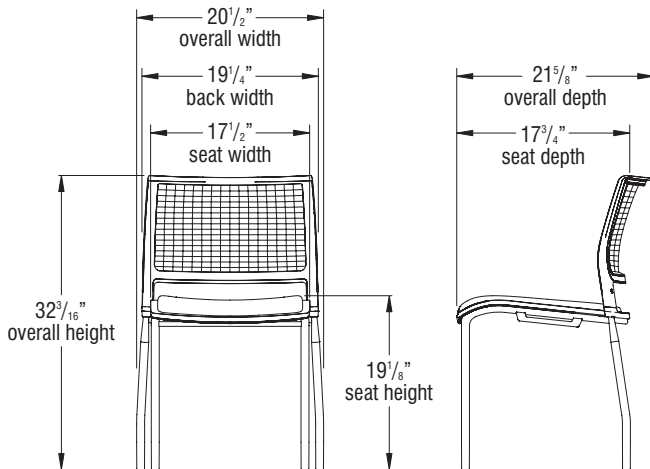
### DIMENSIONS

#### Opt4 4-Leg Armless Chair with Glides - Mesh Seat & Mesh Backrest

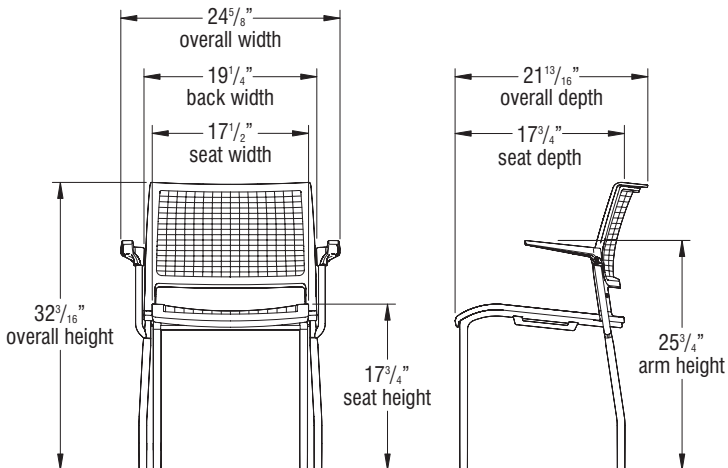


## DIMENSIONS

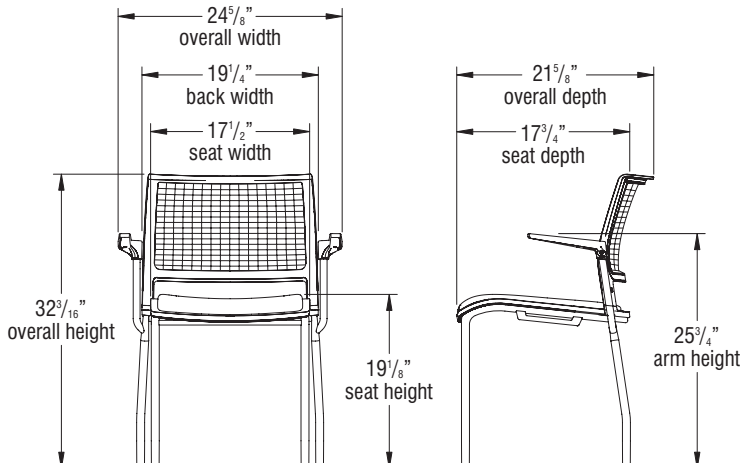
### Opt4 4-Leg Armless Chair with Glides - Upholstered Seat & Mesh Backrest



### Opt4 4-Leg Armchair with Glides - Mesh Seat & Mesh Backrest



### Opt4 4-Leg Armchair with Glides - Upholstered Seat & Mesh Backrest

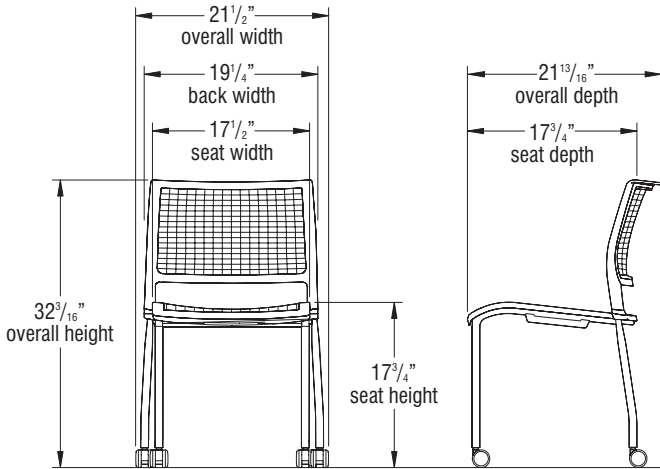


## CODE COMPLIANCE

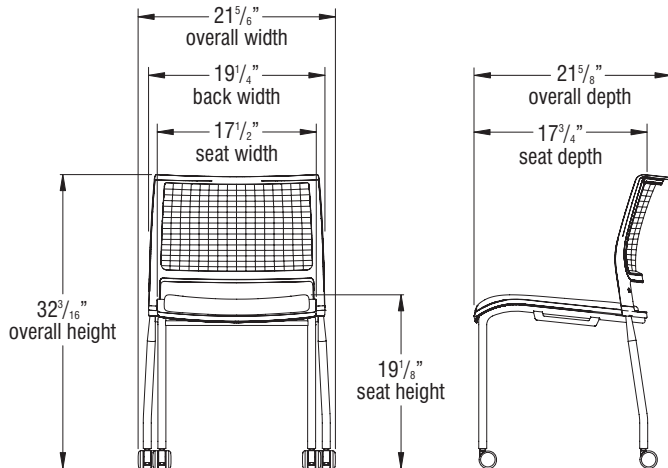


## DIMENSIONS

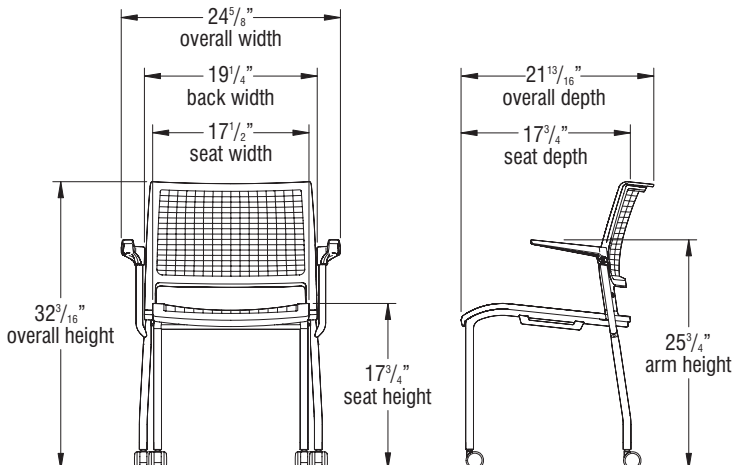
### Opt4 4-Leg Armless Chair with Casters - Mesh Seat & Mesh Backrest



### Opt4 4-Leg Armless Chair with Casters - Upholstered Seat & Mesh Backrest



### Opt4 4-Leg Armchair with Casters - Mesh Seat & Mesh Backrest

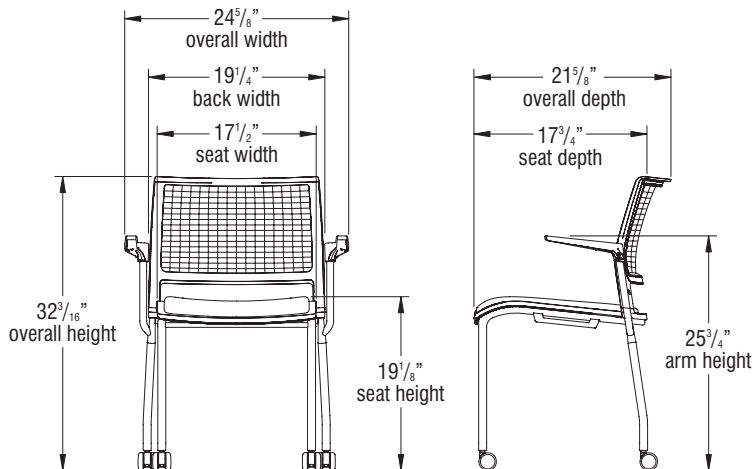


## CODE COMPLIANCE



## DIMENSIONS.

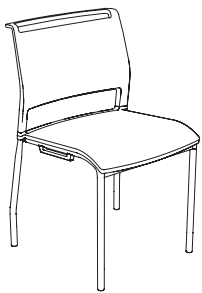
### Opt4 4-Leg Armchair with Casters - Upholstered Seat & Mesh Backrest



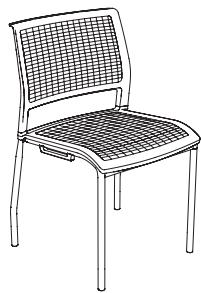
## STATEMENT OF LINE

All models are available in polypropylene seat/backrest, mesh seat/backrest, polypropylene seat/mesh backrest, mesh seat/polypropylene backrest, upholstered seat/polypropylene backrest or upholstered seat/mesh backrest.

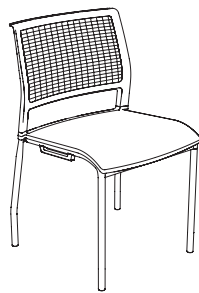
### Opt 4 4-Leg Armless Chairs with Glides



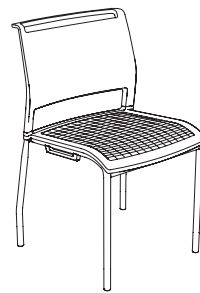
O4LNAPSPB



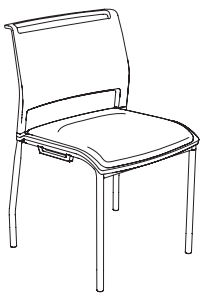
O4LNAMSMB



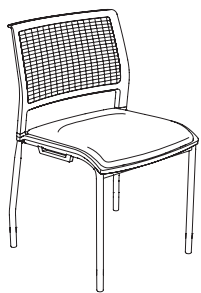
O4LNAPSMB



O4LNAMSPB



O4LNAUSPB



O4LNAUSMB

## CODE COMPLIANCE



STATEMENT OF LINE

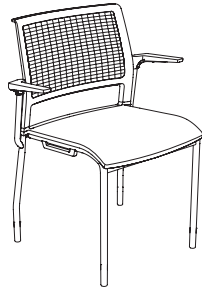
Opt 4 4-Leg Armchairs with Glides



04LWAPSPB



04LWAMSMB



04LWAPSMB



04LWAMSPB

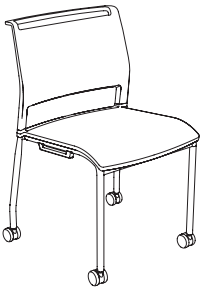


04LWAUSPB

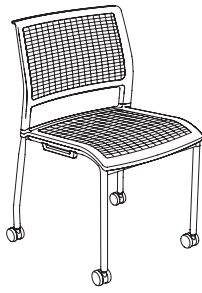


04LWAUSMB

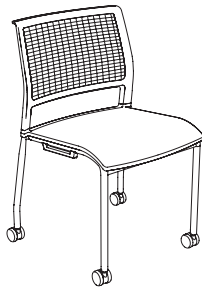
Opt 4 4-Leg Armless Chairs with Casters



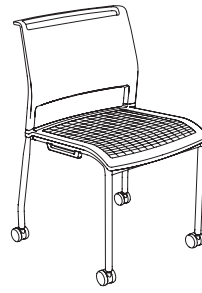
04LNAPSPBC



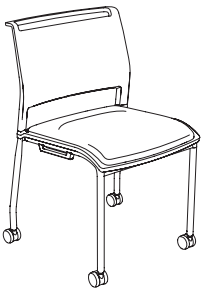
04LNAMSMBC



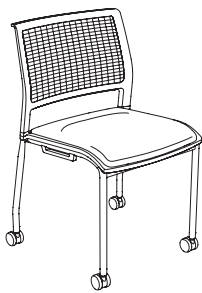
04LNAPSMBC



04LNAMSPBC



04LNAUSPBC



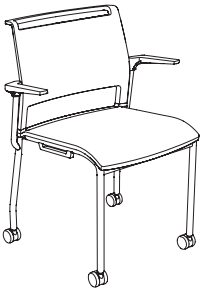
04LNAUSMBC

CODE COMPLIANCE



## STATEMENT OF LINE

### Opt 4 4-Leg Armchairs with Casters



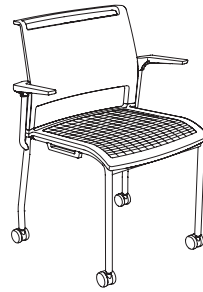
O4LWAPSPBC



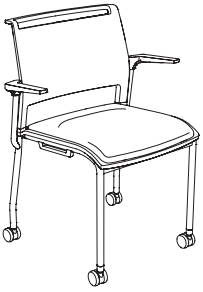
O4LWAMSMBC



O4LWAPSMBC



O4LWAMSPBC



O4LWAUSPBC



O4LWAUSMBC

## CODE COMPLIANCE

